

TRANSLED™ TRAFFIC SIGNALS

Traffic Signal certified to EN 12368-2000 Standards



Features:

- 90% energy saving as compared to Incandescent Traffic Signals.
- Direct replacement for conventional signal without changing housing, wiring or power supply.
- Available in sizes of 8" (213mm) and 12" (300mm).
- Certified to meet EN 50293 EMC Standards.
- Certified to meet EN 60529-1989 IP65 Ingress Protection Grade.
- Certified to meet IEC 60068-2-34 Vibration Test.
- Available in Phantom 3 and Phantom 5. **only applicable to HI-FLUX series.*

The Traffic Signal has been tested for ingress protection of IP65 as per EN 60068 and EN 60529.

Retrofitting of Hi-Brite Traffic Signal only takes a few minutes because it can fit in most of the standard aspects available for incandescent and halogen bulbs.

Product Description:

- Hi-Brite Traffic Signals use the latest AllnGAP and InGan LED Technology. Low power LEDs are used.
- Can work with input voltage range of 220VAC and 110 VAC with a possible voltage fluctuation of +/- 20%. This allows for reliable operation in the field in spite of any changes in power supply voltage regulation.
- Enhanced thermal design allows for good heat dissipation of LED and power supply for longer life span. Good heat dissipation will allow for longer life span of LED signal due to lower operating temperature.
- Comes with 1 meter cable with fashion termination for easy and reliable electrical connection.
- High impact resistant front lens protects the Traffic Signal from damages caused by objects that may hit the Signal.
- Traffic Signal is provided with optional housing. Visors and clamps that cater for different signal assemblies.
- Optional rubber gaskets are available upon request.



Symbols Available

The following symbols are available (optional)



Arrow



Pedestrian

Technical Data Sheet

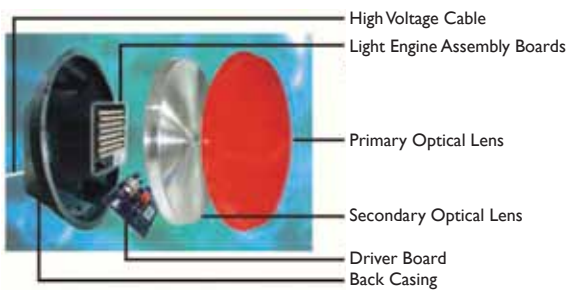
Product	Hi - FLUX	HI - BRITE
Application	LED Traffic Signal	
Spreading Window Material	High impact resistant polycarbonate material	
Spreading Window Color	Tinted	Clear
Housing	Black fiber reinforced polycarbonate with embedded heat sink.	
Optical System	Primary and secondary optics to enhance light output and reduce phantom.	
Dominant Wave Length	● Red 618-635 ● Amber 584-596 ● Green 500-512	

Electrical Characteristics

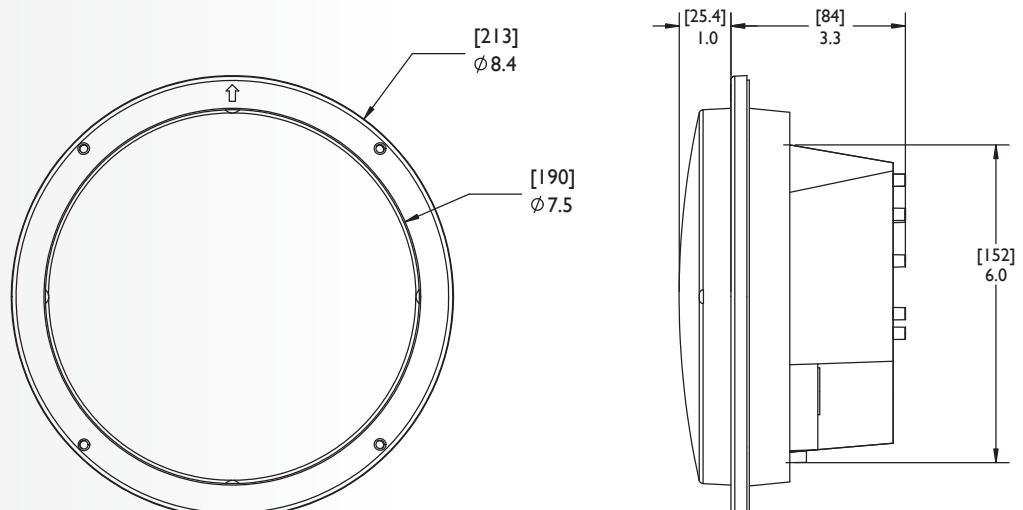
Power	8W-10W (typical 10W)	12W-15W (Typical 12W)
Intensity	200cd - 800cd	
Input Voltage	180V - 285V AC	
Input Frequency	48Hz to 62Hz	
Power Factor	>0.9	
LED Type	AllnGAP, InGaN	Through Hole
LED Mounting Technology	Surface Mount	Through Hole
Operating Temperature	-20 degrees Celsius to +75 degrees Celsius	
Luminous Intensity Performance	As per EN 12368 : Class A2/1 type W	
Chromaticity Coordinates (x,y) As on CIE Chart	● RED 0.660, 0.320 ● AMBER 0.536, 0.444 ● GREEN 0.009, 0.720	
	0.680, 0.320	0.547, 0.452
	0.710, 0.290	0.613, 0.387
	0.690, 0.290	0.593, 0.387
Luminance Uniformity	< 10 L max / L min	

Mechanical Data

Relative Humidity	95%
Vibration	IEC 60068 - 2 - 34
Ingress	IP65 - Totally protected against dust Protected against low pressure water jets from all directions
Cable	1 meter external cable



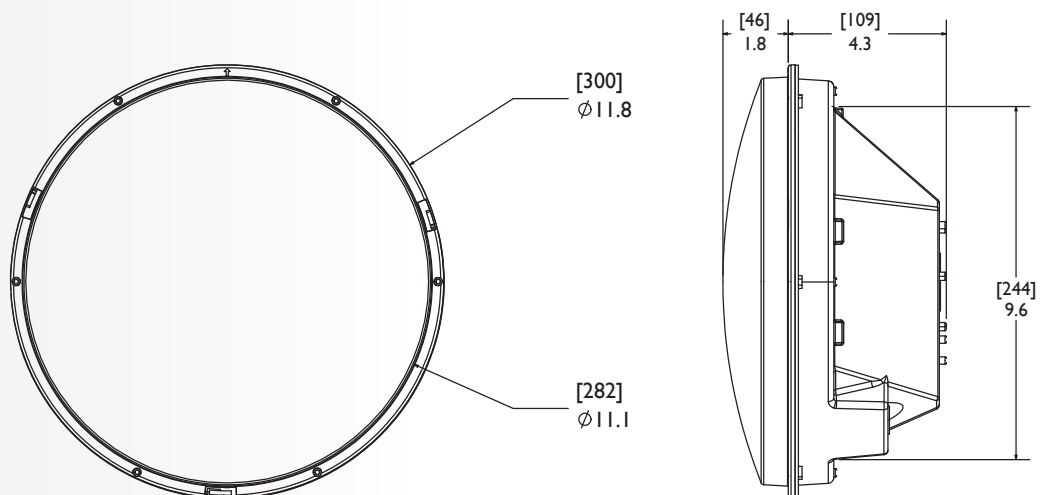
8" TRAFFIC LIGHT MECHANICAL DIMENSIONS



Hi -Brite series

Product Family	Part No.	Colour	Size	Dominant Wave Length	Description
Hi-Brite Uniform Light 110VAC	30-56XR41X-N-XS	● Red	12"	618-635	Smooth Spreading Window
	30-57XA41X-N-XS	● Amber	12"	584-596	Smooth Spreading Window
	30-E8XG41X-N-XS	● Green	12"	500-512	Smooth Spreading Window
	21-56XR41X-N-XS	● Red	8"	618-635	Smooth Spreading Window
	21-57XA41X-N-XS	● Amber	8"	584-596	Smooth Spreading Window
	21-E8XG41X-N-XS	● Green	8"	500-512	Smooth Spreading Window
Hi-Brite Directional & Pedestrian Signal 110VAC	30-56XR41X-U-XS	● Red	12"	618-635	↑ Straight Arrow
	30-56XR41X-L-XS	● Red	12"	618-635	→ Left Arrow
	30-56XR41X-R-XS	● Red	12"	618-635	← Right Arrow
	30-60XR41X-S-XS	● Red	12"	618-635	⤴ Pedestrian Stop Man
	30-57XA41X-U-XS	● Amber	12"	584-596	↑ Straight Arrow
	30-57XA41X-L-XS	● Amber	12"	584-596	→ Left Arrow
	30-57XA41X-R-XS	● Amber	12"	584-596	← Right Arrow
	30-E8XG41X-U-XS	● Green	12"	500-512	↑ Straight Arrow
	30-E8XG41X-L-XS	● Green	12"	500-512	→ Left Arrow
	30-E8XG41X-R-XS	● Green	12"	500-512	← Right Arrow
	30-E1XG41X-W-XS	● Green	12"	500-512	↗ Pedestrian Walk Man
	21-56XR41X-U-XS	● Red	8"	618-635	↑ Straight Arrow
	21-56XR41X-L-XS	● Red	8"	618-635	→ Left Arrow
	21-56XR41X-R-XS	● Red	8"	618-635	← Right Arrow
	21-60XR41X-S-XS	● Red	8"	618-635	⤴ Pedestrian Stop Man
	21-57XA41X-U-XS	● Amber	8"	584-596	↑ Straight Arrow
	21-57XA41X-L-XS	● Amber	8"	584-596	→ Left Arrow
	21-57XA41X-R-XS	● Amber	8"	584-596	← Right Arrow
	21-E8XG41X-U-XS	● Green	8"	500-512	↑ Straight Arrow
	21-E8XG41X-L-XS	● Green	8"	500-512	→ Left Arrow
	21-E8XG41X-R-XS	● Green	8"	500-512	← Right Arrow
21-E1XG41X-W-XS	● Green	8"	500-512	↗ Pedestrian Walk Man	
Hi-Brite Uniform Light 230VAC	30-56XR22X-N-XS	● Red	12"	618-635	Smooth Spreading Window
	30-57XA22X-N-XS	● Amber	12"	584-596	Smooth Spreading Window
	30-E8XG22X-N-XS	● Green	12"	500-512	Smooth Spreading Window
	21-56XR22X-N-XS	● Red	8"	618-635	Smooth Spreading Window
	21-57XA22X-N-XS	● Amber	8"	584-596	Smooth Spreading Window
	21-E8XG22X-N-XS	● Green	8"	500-512	Smooth Spreading Window
Hi-Brite Directional & Pedestrian Signal 230VAC	30-56XR22X-U-XS	● Red	12"	618-635	↑ Straight Arrow
	30-56XR22X-L-XS	● Red	12"	618-635	→ Left Arrow
	30-56XR22X-R-XS	● Red	12"	618-635	← Right Arrow
	30-60XR22X-S-XS	● Red	12"	618-635	⤴ Pedestrian Stop Man
	30-57XA22X-U-XS	● Amber	12"	584-596	↑ Straight Arrow
	30-57XA22X-L-XS	● Amber	12"	584-596	→ Left Arrow
	30-57XA22X-R-XS	● Amber	12"	584-596	← Right Arrow
	30-E8XG22X-U-XS	● Green	12"	500-512	↑ Straight Arrow
	30-E8XG22X-L-XS	● Green	12"	500-512	→ Left Arrow
	30-E8XG22X-R-XS	● Green	12"	500-512	← Right Arrow
	30-E1XG22X-W-XS	● Green	12"	500-512	↗ Pedestrian Walk Man
	21-56XR22X-U-XS	● Red	8"	618-635	↑ Straight Arrow
	21-56XR22X-L-XS	● Red	8"	618-635	→ Left Arrow
	21-56XR22X-R-XS	● Red	8"	618-635	← Right Arrow
	21-60XR22X-S-XS	● Red	8"	618-635	⤴ Pedestrian Stop Man
	21-57XA22X-U-XS	● Amber	8"	584-596	↑ Straight Arrow
	21-57XA22X-L-XS	● Amber	8"	584-596	→ Left Arrow
	21-57XA22X-R-XS	● Amber	8"	584-596	← Right Arrow
	21-E8XG22X-U-XS	● Green	8"	500-512	↑ Straight Arrow
	21-E8XG22X-L-XS	● Green	8"	500-512	→ Left Arrow
	21-E8XG22X-R-XS	● Green	8"	500-512	← Right Arrow
21-E1XG22X-W-XS	● Green	8"	500-512	↗ Pedestrian Walk Man	

12" TRAFFIC LIGHT
MECHANICAL
DIMENSIONS



All dimension in inch. [mm] indicates metric equivalent.

Hi -Flux Phantom 3 series

Product Family	Part No.	Colour	Size	Dominant Wave Length	Description	
Hi-Flux Phantom 3 Uniform Light 110VAC	30-01XR41X-N-XT	Red	12"	618-635	Tinted Spreading Window	
	30-00XA41X-N-XT	Amber	12"	584-596	Tinted Spreading Window	
	30-02XG41X-N-XT	Green	12"	500-512	Tinted Spreading Window	
	21-01XR41X-N-XT	Red	8"	618-635	Tinted Spreading Window	
	21-00XA41X-N-XT	Amber	8"	584-596	Tinted Spreading Window	
	21-02XG41X-N-XT	Green	8"	500-512	Tinted Spreading Window	
	Hi-Flux Phantom 3 Directional & Pedestrian Signal 110VAC	30-01XR41X-U-XT	Red	12"	618-635	↑ Straight Arrow
		30-01XR41X-L-XT	Red	12"	618-635	↔ Left Arrow
		30-01XR41X-R-XT	Red	12"	618-635	↔ Right Arrow
		30-01XR41X-S-XT	Red	12"	618-635	⬆ Pedestrian Stop Man
30-00XA41X-U-XT		Amber	12"	584-596	↑ Straight Arrow	
30-00XA41X-L-XT		Amber	12"	584-596	↔ Left Arrow	
30-00XA41X-R-XT		Amber	12"	584-596	↔ Right Arrow	
30-02XG41X-U-XT		Green	12"	500-512	↑ Straight Arrow	
30-02XG41X-L-XT		Green	12"	500-512	↔ Left Arrow	
30-02XG41X-R-XT		Green	12"	500-512	↔ Right Arrow	
30-02XG41X-W-XT		Green	12"	500-512	↕ Pedestrian Walk Man	
30-02XG41X-C-XT		Green	12"	500-512	↻ U-Turn	
21-01XR41X-U-XT		Red	8"	618-635	↑ Straight Arrow	
21-01XR41X-L-XT		Red	8"	618-635	↔ Left Arrow	
21-01XR41X-R-XT		Red	8"	618-635	↔ Right Arrow	
21-01XR41X-S-XT		Red	8"	618-635	⬆ Pedestrian Stop Man	
21-00XA41X-U-XT		Amber	8"	584-596	↑ Straight Arrow	
21-00XA41X-L-XT		Amber	8"	584-596	↔ Left Arrow	
21-00XA41X-R-XT	Amber	8"	584-596	↔ Right Arrow		
21-00XA41X-S-XT	Amber	8"	584-596	⬆ Pedestrian Stop Man		
21-02XG41X-U-XT	Green	8"	500-512	↑ Straight Arrow		
21-02XG41X-L-XT	Green	8"	500-512	↔ Left Arrow		
21-02XG41X-R-XT	Green	8"	500-512	↔ Right Arrow		
21-02XG41X-W-XT	Green	8"	500-512	↕ Pedestrian Walk Man		
21-02XG41X-C-XT	Green	8"	500-512	↻ U-Turn		
Hi-Flux Phantom 3 Uniform Light 230VAC	30-01XR22X-N-XT	Red	12"	618-635	Tinted Spreading Window	
	30-00XA22X-N-XT	Amber	12"	584-596	Tinted Spreading Window	
	30-02XG22X-N-XT	Green	12"	500-512	Tinted Spreading Window	
	21-01XR22X-N-XT	Red	8"	618-635	Tinted Spreading Window	
	21-00XA22X-N-XT	Amber	8"	584-596	Tinted Spreading Window	
	21-02XG22X-N-XT	Green	8"	500-512	Tinted Spreading Window	
	Hi-Flux Phantom 3 Directional & Pedestrian Signal 230VAC	30-01XR22X-U-XT	Red	12"	618-635	↑ Straight Arrow
		30-01XR22X-L-XT	Red	12"	618-635	↔ Left Arrow
		30-01XR22X-R-XT	Red	12"	618-635	↔ Right Arrow
		30-01XR22X-S-XT	Red	12"	618-635	⬆ Pedestrian Stop Man
30-00XA22X-U-XT		Amber	12"	584-596	↑ Straight Arrow	
30-00XA22X-L-XT		Amber	12"	584-596	↔ Left Arrow	
30-00XA22X-R-XT		Amber	12"	584-596	↔ Right Arrow	
30-02XG22X-U-XT		Green	12"	500-512	↑ Straight Arrow	
30-02XG22X-L-XT		Green	12"	500-512	↔ Left Arrow	
30-02XG22X-R-XT		Green	12"	500-512	↔ Right Arrow	
30-02XG22X-W-XT		Green	12"	500-512	↕ Pedestrian Walk Man	
30-02XG22X-C-XT		Green	12"	500-512	↻ U-Turn	
21-01XR22X-U-XT		Red	8"	618-635	↑ Straight Arrow	
21-01XR22X-L-XT		Red	8"	618-635	↔ Left Arrow	
21-01XR22X-R-XT		Red	8"	618-635	↔ Right Arrow	
21-01XR22X-S-XT		Red	8"	618-635	⬆ Pedestrian Stop Man	
21-00XA22X-U-XT		Amber	8"	584-596	↑ Straight Arrow	
21-00XA22X-L-XT		Amber	8"	584-596	↔ Left Arrow	
21-00XA22X-R-XT		Amber	8"	584-596	↔ Right Arrow	
21-00XA22X-S-XT		Amber	8"	584-596	⬆ Pedestrian Stop Man	
21-02XG22X-U-XT		Green	8"	500-512	↑ Straight Arrow	
21-02XG22X-L-XT		Green	8"	500-512	↔ Left Arrow	
21-02XG22X-R-XT		Green	8"	500-512	↔ Right Arrow	
21-02XG22X-W-XT		Green	8"	500-512	↕ Pedestrian Walk Man	
21-02XG22X-C-XT	Green	8"	500-512	↻ U-Turn		

Hi -Flux Phantom 5 series

Product Family	Part No.	Colour	Size	Dominant Wave Length	Description	
Hi-Flux Phantom 5 Uniform Light 110VAC	30-01XR41X-N-XH	Red	12"	618-635	Tinted Spreading Window	
	30-00XA41X-N-XH	Amber	12"	584-596	Tinted Spreading Window	
	30-02XG41X-N-XH	Green	12"	500-512	Tinted Spreading Window	
	21-01XR41X-N-XH	Red	8"	618-635	Tinted Spreading Window	
	21-00XA41X-N-XH	Amber	8"	584-596	Tinted Spreading Window	
	21-02XG41X-N-XH	Green	8"	500-512	Tinted Spreading Window	
Hi-Flux Phantom 5 Directional & Pedestrian Signal 110VAC	30-01XR41X-U-XH	Red	12"	618-635	↑ Straight Arrow	
	30-01XR41X-L-XH	Red	12"	618-635	↔ Left Arrow	
	30-01XR41X-R-XH	Red	12"	618-635	↔ Right Arrow	
	30-01XR41X-S-XH	Red	12"	618-635	⬆ Pedestrian Stop Man	
	30-00XA41X-U-XH	Amber	12"	584-596	↑ Straight Arrow	
	30-00XA41X-L-XH	Amber	12"	584-596	↔ Left Arrow	
	30-00XA41X-R-XH	Amber	12"	584-596	↔ Right Arrow	
	30-02XG41X-U-XH	Green	12"	500-512	↑ Straight Arrow	
	30-02XG41X-L-XH	Green	12"	500-512	↔ Left Arrow	
	30-02XG41X-R-XH	Green	12"	500-512	↔ Right Arrow	
	30-02XG41X-W-XH	Green	12"	500-512	↕ Pedestrian Walk Man	
	30-02XG41X-C-XH	Green	12"	500-512	↻ U-Turn	
	21-01XR41X-U-XH	Red	8"	618-635	↑ Straight Arrow	
	21-01XR41X-L-XH	Red	8"	618-635	↔ Left Arrow	
	21-01XR41X-R-XH	Red	8"	618-635	↔ Right Arrow	
	21-01XR41X-S-XH	Red	8"	618-635	⬆ Pedestrian Stop Man	
	21-00XA41X-U-XH	Amber	8"	584-596	↑ Straight Arrow	
	21-00XA41X-L-XH	Amber	8"	584-596	↔ Left Arrow	
	21-00XA41X-R-XH	Amber	8"	584-596	↔ Right Arrow	
	21-00XA41X-S-XH	Amber	8"	584-596	⬆ Pedestrian Stop Man	
	21-02XG41X-U-XH	Green	8"	500-512	↑ Straight Arrow	
	21-02XG41X-L-XH	Green	8"	500-512	↔ Left Arrow	
	21-02XG41X-R-XH	Green	8"	500-512	↔ Right Arrow	
	21-02XG41X-W-XH	Green	8"	500-512	↕ Pedestrian Walk Man	
21-02XG41X-C-XH	Green	8"	500-512	↻ U-Turn		
Hi-Flux Phantom 5 Uniform Light 230VAC	30-01XR22X-N-XH	Red	12"	618-635	Tinted Spreading Window	
	30-00XA22X-N-XH	Amber	12"	584-596	Tinted Spreading Window	
	30-02XG22X-N-XH	Green	12"	500-512	Tinted Spreading Window	
	21-01XR22X-N-XH	Red	8"	618-635	Tinted Spreading Window	
	21-00XA22X-N-XH	Amber	8"	584-596	Tinted Spreading Window	
	21-02XG22X-N-XH	Green	8"	500-512	Tinted Spreading Window	
	Hi-Flux Phantom 5 Directional & Pedestrian Signal 230VAC	30-01XR22X-U-XH	Red	12"	618-635	↑ Straight Arrow
		30-01XR22X-L-XH	Red	12"	618-635	↔ Left Arrow
		30-01XR22X-R-XH	Red	12"	618-635	↔ Right Arrow
		30-01XR22X-S-XH	Red	12"	618-635	⬆ Pedestrian Stop Man
30-00XA22X-U-XH		Amber	12"	584-596	↑ Straight Arrow	
30-00XA22X-L-XH		Amber	12"	584-596	↔ Left Arrow	
30-00XA22X-R-XH		Amber	12"	584-596	↔ Right Arrow	
30-02XG22X-U-XH		Green	12"	500-512	↑ Straight Arrow	
30-02XG22X-L-XH		Green	12"	500-512	↔ Left Arrow	
30-02XG22X-R-XH		Green	12"	500-512	↔ Right Arrow	
30-02XG22X-W-XH		Green	12"	500-512	↕ Pedestrian Walk Man	
30-02XG22X-C-XH		Green	12"	500-512	↻ U-Turn	
21-01XR22X-U-XH		Red	8"	618-635	↑ Straight Arrow	
21-01XR22X-L-XH		Red	8"	618-635	↔ Left Arrow	
21-01XR22X-R-XH		Red	8"	618-635	↔ Right Arrow	
21-01XR22X-S-XH		Red	8"	618-635	⬆ Pedestrian Stop Man	
21-00XA22X-U-XH		Amber	8"	584-596	↑ Straight Arrow	
21-00XA22X-L-XH		Amber	8"	584-596	↔ Left Arrow	
21-00XA22X-R-XH		Amber	8"	584-596	↔ Right Arrow	
21-00XA22X-S-XH		Amber	8"	584-596	⬆ Pedestrian Stop Man	
21-02XG22X-U-XH		Green	8"	500-512	↑ Straight Arrow	
21-02XG22X-L-XH		Green	8"	500-512	↔ Left Arrow	
21-02XG22X-R-XH		Green	8"	500-512	↔ Right Arrow	
21-02XG22X-W-XH		Green	8"	500-512	↕ Pedestrian Walk Man	
21-02XG22X-C-XH	Green	8"	500-512	↻ U-Turn		

©2010 ITRAMAS

All rights reserved. Reproduction in whole or in part is strictly prohibited without the prior written consent of ItraMAS. The content in this document serves as informational purpose only and does not form part of any quotation or contract. All information is believed to be accurate and may be changed without prior notice. No liability will be accepted by the publisher or ItraMAS for any consequence of its use. The compilation (meaning the collection, arrangement and assembly) of all content on this document is also the exclusive property of ItraMAS and/or its respective owners and protected by copyright laws.